

SPRING
SUMMER
2012

LASER GUIDE SYSTEM

STATIONARY 6.5 PEAK HP 60 GALLON AIR COMPRESSOR

- KC-6160V1**
- 2 cylinder cast iron single stage oil lubricated pump
 - 150 PSI max pressure
 - 13.4 SCFM @ 40 PSI
 - 11.2 SCFM @ 90 PSI
 - High efficiency reed valves



\$749.

HIGH OUTPUT 6.5 PEAK HP 60 GALLON AIR COMPRESSOR

- KC-5160V1**
- 3 cylinder cast iron single stage oil lubricated pump
 - 150 PSI max pressure
 - 22.6 SCFM @ 40 PSI
 - 18.5 SCFM @ 100 PSI
 - High efficiency reed valves



\$1199.

5.5 PEAK HP 20 GALLON AIR COMPRESSOR

- KC-2051H1**
- 2 cylinder cast iron single stage oil lubricated pump
 - 150 PSI max pressure
 - 7.6 SCFM @ 40 PSI
 - 6.0 SCFM @ 90 PSI
 - High efficiency reed valves



\$559.

WIRELESS KC-9100 INSPECTION CAMERA WITH RECORDABLE LCD MONITOR

\$199.99

Kit includes:

- Camera handle, 39" x 9mm camera probe, 39" x 10mm camera probe extension, 3.5" TFT-LCD wireless color monitor, monitor Li-ion charger, 3 accessory tools (45° mirror, magnetic pick-up, pick-up hook), USB and Video cables, 4GB SD memory card and 4 AA batteries

**OPTIONAL
MONITOR MAGNETIC
BASE
KW-9120
BASE
\$14.99**

ARCTIC FLEX

**HYBRID POLYMER
INDUSTRIAL AIR HOSES**
All-Weather Flexibility (-40°C to 65°C)

- K-2514H 25' x 1/4" \$19.99**
- K-5014H 50' x 1/4" \$29.99**
- K-2538H 25' x 3/8" \$24.99**
- K-5038H 50' x 3/8" \$39.99**



300 PSI MAXIMUM PRESSURE

MILLING DRILLING MACHINE

- PDM-30**
- 2 HP motor (110-220V)
 - 16 1/2" swing
 - 1 1/4" Drilling capacity
 - 3" Face mill capacity
 - 12 speeds (150-2500 RPM)
 - 5" stroke



**FREE
BONUS
PACKAGE**

\$343.85
**5 PC
ACCESSORY
BONUS
PACKAGE FREE**

- INCLUDED WITH THE
PURCHASE OF A PDM-30
MILLING DRILLING
MACHINE**
Includes:
• angle drill
press vise, drill
chuck with key, drill
chuck arbor, carbide tipped face
mill and shell mill arbor

**optional
MILLING DRILLING
MACHINE STAND**

**\$5-45
Heavy-duty steel
construction**

\$1699.

\$199.99

7" X 12" METAL CUTTING BANDSAW KC-712BC

- 12 amp. motor • Coolant system
- Adjustable ballbearing guides
- 4 speeds (85-130-180-235 SFPM)



**PATENTED
TRU-LOCK quick
locking
vise
system**

\$999.

Model	Length	Width	Blade Material	TPI	Thickness	Price
KBB-712-10	93"	3/4"	H.S.S.	10	.032	\$19.99
KBB-712-14	93"	3/4"	H.S.S.	14	.032	\$19.99
KBB-712-18	93"	3/4"	H.S.S.	18	.032	\$19.99
KBB-712-BM-610	93"	3/4"	Bi-Metal	6-10	.032	\$39.99
KBB-712-BM-1014	93"	3/4"	Bi-Metal	10-14	.032	\$39.99

DRILL PRESS CHUCK SAFETY GUARD

KM-116
Fits KC-116FC

\$19.99

Bonus

**4" DRILL
PRESS VISE**
With the purchase of # KC-116FC

13" DRILL PRESS WITH DUAL LASER GUIDE SYSTEM

KC-116FC

- Powerful 7.5 amp. motor
- 16 speeds (210-3670 RPM)
- 13" swing
- 3 5/16" stroke
- 5/8" chuck

\$289.99

KDB-29T 29 PC. TITANIUM DRILL BIT SET

\$29.99

**New Improved
Switch System**

DRILL PRESS CHUCK SAFETY GUARD

KM-118
Fits KC-118FC

\$19.99

Bonus

**4" DRILL
PRESS VISE**
With the purchase of # KC-118FC

17" DRILL PRESS

KC-118FC

- Powerful 12.5 amp. motor
- 16 speeds (240-3400 RPM)
- 17" swing
- 3 1/4" stroke
- 5/8" chuck

\$459.



5" x 6" METAL CUTTING BANDSAW

KC-129C

- 6 amp. motor
- 3 speeds (80-120-200 FRM)
- Comes with wheels for portability

\$379.99

H.S.S. & BI-METAL BLADES ("SKIP TOOTH")

Model	Length	Width	Blade Material	TPI	Thickness	Price
KBB-115-10	64 1/2"	1/2"	H.S.S.	10	.025	\$10.99
KBB-115-14	64 1/2"	1/2"	H.S.S.	14	.025	\$10.99
KBB-115-18	64 1/2"	1/2"	H.S.S.	18	.025	\$10.99
KBB-115-24	64 1/2"	1/2"	H.S.S.	24	.025	\$10.99
KBB-115-BM-10	64 1/2"	1/2"	Bi-Metal	10	.025	\$29.99
KBB-115-BM-14	64 1/2"	1/2"	Bi-Metal	14	.025	\$29.99
KBB-115-BM-18	64 1/2"	1/2"	Bi-Metal	18	.025	\$29.99



PATENTED

TRU-LOCK quick locking vise system

7" x 12" METAL CUTTING BANDSAW WITH GEAR DRIVE

KC-712GH-5

- 1 HP Motor
- Returning coolant system
- 3 (110-230-340 FPM)
- Automatic shut-off
- Adjustable ball bearing guides

\$1369.



ADJUSTABLE HYDRAULIC CYLINDER

5" x 6" DUAL SWIVEL METAL CUTTING BANDSAW

KC-129DS

- Head swivels 0° - 45° to the right and 0° - 60° to the left
- Adjustable hydraulic downfeed control
- Automatic shut-off switch
- Adjustable ball bearing guides
- Portable design for easy movement

\$699.99



PATENTED

TRU-LOCK quick locking vise system

7" X 12" DUAL SWIVEL METAL CUTTING BANDSAW

KC-712DS

- 1 HP Motor
- Returning coolant system
- 4 speeds (98-164-246-328 FPM)
- Automatic shut-off
- Adjustable ball bearing guides

\$2199.



Precision pressure gauge indicates the blade tension

PATENTED

TRU-LOCK quick locking vise system



10" X 18" METAL CUTTING BANDSAW

KC-227-2 (220V)
KC-227-6 (600V)

- Powerful 2 HP motor
- 4 speeds (114, 196, 288, 377 FPM)
- Carbide ball bearing blade guides with rollers
- Centralized control panel and automatic shut-off
- Adjustable hydraulic downfeed control
- TRU-LOCK™ cam lock and quick positioning vise system with fully adjustable jaws for 0° to 45° angled cuts
- To ensure reliable accurate cuts, both adjustable control arms can be positioned as close to the cut as possible
- Exclusive 24 volt control panel
- Coolant system with regulator valves provide an even flow of coolant to the blade

\$3799.

H.S.S. BLADES

Model	Length	Width	TPI	Thickness	Price
KBB-225-10	122"	1"	10	.032	\$29.99
KBB-225-14	122"	1"	14	.032	\$29.99

14" SELF-FEED VERTICAL METAL CUTTING BANDSAW

KC-914H

- Powerful 1 HP motor
- Hydraulic gravity feed regulator feeds blade into material by gravity for hands-free use
- Precision blade tension adjustment
- Comes complete with bi-metal blade, work light, chip tray, miter gauge, C clamp vise gravity feed stop clamp and extension roller

\$3299.



BI-METAL BLADES ("SKIP TOOTH")

Model	Length	Width	TPI	Thickness	Price
KBB-914-BM-10	120"	3/4"	10	.032	\$59.99
KBB-914-BM-14	120"	3/4"	14	.032	\$59.99

18" METAL CUTTING BANDSAW

KC-450

- Powerful 1 HP motor
- Variable speed
- Hand wheel controls speed
- Speed changes while the machine is in operation
- Comes complete with 4-way tilting table, and work light

\$4199.



VARIABLE SPEED

AVAILABLE 220 or 550 VOLTS



9" X 18" METAL CUTTING BANDSAW

KC-918S-V

- 2 HP Motor
- Variable speed (80-250 FPM)
- Carbide ball bearing blade guides with rollers
- Centralized control panel and automatic shut-off
- Adjustable hydraulic downfeed control
- Coolant system
- Precision blade tension adjustment
- Quick-positioning vise with fully adjustable jaws for 0° to 45° angles
- This machine can make a variety of cuts from 90° to 45° while the material is clamped

\$4999.

H.S.S. & BI-METAL BLADES ("SKIP TOOTH")

Model	Length	Width	Blade Material	TPI	Thickness	Price
KBB-918-10	131 3/4"	1"	H.S.S.	10	.032	\$29.99
KBB-918-14	131 3/4"	1"	H.S.S.	14	.032	\$29.99
KBB-918-BM-610	131 3/4"	1"	Bi-Metal	14	.032	\$65.99
KBB-918-BM-812	131 3/4"	1"	Bi-Metal	14	.032	\$65.99

HEAD SWIVELS 180°



RADIAL DRILLING MACHINE

KC-35

- 1.5 HP Motor
- 21 1/4" Max. distance spindle nose to table
- 38 1/2" swing
- MT #3 Spindle taper
- 5 1/4" Spindle stroke
- 4 1/2" Column diameter
- Speeds 5(340, 3000 R.P.M.)
- 21 5/8" x 19 5/8" Table dimensions
- 14" Head travel
- 5/8" Size of T-Slot on table
- Complete with forward reverse switch, 1/2" chuck with key, safety guard and stand

\$2999.

STAND INCLUDED



HEADS TILTS 90° TO THE RIGHT OR LEFT

MILLING DRILLING MACHINE WITH DIGITAL READOUT

KC-20VS

- 1 HP Motor
- 13" Max. distance spindle nose to table
- 13" swing
- R8 Spindle taper
- 2" Spindle stroke
- Speeds 2(50-1125 / 100-2250 RPM)
- 7 1/16" x 27 1/2" Table dimensions
- 1/2" Size of T-Slot on table
- Comes with 1/2" chuck, chuck key, R8 chuck arbor, safety guard, 2 T-bolts, oil bottle, adjustment wrenches, hex. keys and tool box

\$1399.

optional

MILLING DRILLING MACHINE STAND SS-20VS
Heavy-duty steel construction

\$199.

WET DRY VACUUMS

3.5 PEAK HP 5 20 LITERS
Gallon US

8520LP

- 3.5 Peak HP motor
- 5 Gallon US (20L) plastic tank
- Double filtration system
- Comes complete with 6 ft. x 1-1/4" thread-on hose, 3 pc. plastic extension wand, 20L dust bag, foam filter, reusable filter, 10" floor sweep and crevice tool

5 PEAK HP 8 30 LITERS
Gallon US

8530LP

- 5 Peak HP motor
- 8 Gallon US (30L) plastic tank
- Double filtration system
- Tank water drain
- Power cord wrap for 12 ft. power cord
- Comes complete with 6 ft. x 1-1/4" hose, 2 pc. plastic extension wand, 30L dust bag, cartridge filter, foam filter, reusable filter, 10" floor sweep and crevice tool

5 PEAK HP 10 40 LITERS
Gallon US

8540LST

- 5 Peak HP motor
- 10 Gallon US (40L) corrosion resistant stainless steel tank
- Double filtration system
- Tank water drain
- Power cord wrap for 12 ft. power cord
- Comes complete with 6 ft. x 1-1/4" hose, 2 pc. extension wand, 40L dust bag, cartridge filter, foam filter, reusable filter, 10" floor sweep and crevice tool

6.5 PEAK HP 16 60 LITERS
Gallon US

8560LST

- 6.5 Peak HP motor
- 16 Gallon US (60L) corrosion resistant stainless steel tank
- Double filtration system
- Tank water drain
- 18 ft. power cord with convenient power cord wrap posts
- Comes complete with 8 ft. x 2-1/2" flex hose, 2 pc. 2-1/2" extension wand, contoured handle with air control, cartridge filter, foam filter, 14" floor sweep with squeegee insert, gulper tool, crevice tool and hanging accessory storage bag

\$49.99

\$69.99

\$119.99

\$199.99

New Improved Switch System

DRILL PRESS CHUCK SAFETY GUARD



Fits
KC-122FC
KM-122

\$19.99

22" DRILL PRESS

- KC-122FC**
- 12.5 amp. motor
 - 1 1/4" capacity
 - Spindle taper MT #4
 - 12 speeds (180-4200 RPM)
 - 4 3/4" stroke
 - 3/4" chuck

\$899.



HEADS TILTS 90° TO THE LEFT AND 30° TO THE RIGHT



21" GEARHEAD DRILLING MACHINE

- KC-40HS
KC-40HS-6**
- 1.5 HP Motor
 - Forward & Reversing Switch
 - 1 1/4" Drilling Capacity
 - 20 7/16" Swing
 - Spindle Taper MT#3
 - 6 Speeds (60-1500 RPM)
 - Face Mill Capacity 4"
 - End Mill capacity 3/4"

FREE ANGLE VISE

\$3399.



HEADS TILTS 90° TO THE LEFT AND 30° TO THE RIGHT



GEARHEAD MILLING DRILLING MACHINE

- KC-40HC
KC-40HC-5**
- 1.5 HP Motor
 - Forward & Reversing Switch
 - 1 1/4" Drilling Capacity
 - 20 7/16" Swing
 - Spindle Taper R-8
 - 6 Speeds (60-1500 RPM)
 - Face Mill Capacity 4"
 - End Mill capacity 3/4"
 - Working surface of table 23"x 7 1/2"

FREE ANGLE VISE

\$3999.



Free Bonus package

5 PC ACCESSORY BONUS PACKAGE FREE INCLUDED WITH THE PURCHASE OF A KC-45 MILLING DRILLING MACHINE

Includes: angle drill, press vise, drill chuck with key, drill chuck arbor, carbide tipped face mill and shell mill arbor

\$343.85



GEARHEAD MILLING DRILLING MACHINE

- KC-45**
- 1.5 HP Motor
 - 20 7/16" Swing
 - 5" Stroke
 - 6 speeds (60-1500 RPM)
 - 9 1/2" X 32 1/4" Table
 - 1 1/4" Drill capacity
 - 4" Face mill capacity
 - Spindle taper R8

\$3999.



CROSSLIDE VISES

- Extremely versatile
- Makes lateral or longitudinal adjustments simple

4" KCV-4 \$49.99

5" KCV-5 \$69.99

6" KCV-6 \$89.99



KEYLESS DRILL CHUCKS

- KDC-12X 1/2"-JT#33 \$79.**
- KDC-58X 5/8"-JT#3 \$99.** **KDC-34X 3/4"-JT#4 \$129.**



52 PC. CLAMPING KIT

- KCL-52 Fits 5/8" tableslots** **KCL-5212 Fits 1/2" tableslots**



\$59. ea

TABLE POWERFEED ATTACHMENT

PFM-30 For # KC-45

\$499.

optional

MILLING DRILLING MACHINE STAND

SS-45 Heavy-duty steel construction

\$199.



COMPOUND SLIDE TABLES

KCT-512 5 1/2" X 12" \$149.

• 1/2" T-slots

KCT-618 6" X 18 1/2" \$199.

• 1/2" T-slots



20 PC. TITANIUM COATED END MILL SET

- KM-120**
- TITANIUM NITRIDE COATED HIGH SPEED STEEL
- 2 & 4 Flute (10pcs. each)
- Imperial, Single End



\$99.

28" VARIABLE SPEED GEARHEAD DRILLING MACHINE

- KC-50**
- Variable speed 2 HP motor
 - 27 1/2" swing
 - 7" stroke
 - Variable Speeds 2 (60-870 / 120-1740)
 - 1 1/2" capacity
 - Spindle taper MT#4
 - 1/2" Chuck & key included

POWER DOWNFEED & TAPPING



RECIRCULATING COOLANT SYSTEM



• Voltage 550V, 3 phase

\$3999.



SPECIAL PACKAGE PROMOTION

installed with
• 942VS-6-NF MILLING MACHINE

- **PFM-9422** TABLE POWERFEED
- **20i-M-1230** FAGOR DIGITAL READOUT SYSTEM
- **KCS-R8-15** 18 PC. COLLET SET
- **KMV-6N** 6" K-TYPE SWIVEL BASE MILLING VISE

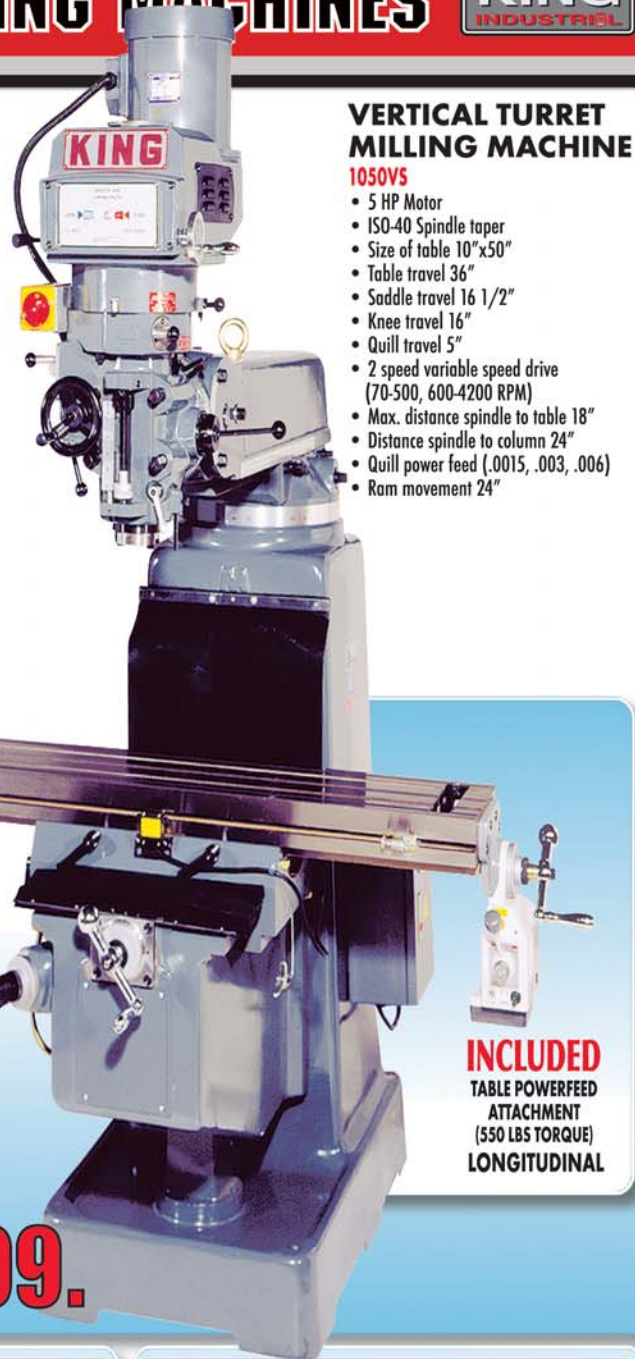
942VS-DELUXE

\$10999.

VERTICAL TURRET MILLING MACHINE

942VS-6-NF TURRET HEAD SWIVELS 360°
942VS-6-NF-5

- 3 HP Motor
- R-8 Spindle taper
- Size of table 9"x42"
- Table travel 30"
- Saddle travel 12"
- Knee travel 16"
- Quill travel 5"
- 2 speed variable speed drive (70-500, 600-4200 R.P.M.)
- Max. distance spindle to table 19"
- Distance spindle to column 6 3/4"-19"
- Quill power feed (.0015, .003, .006)
- Ram movement 12"



VERTICAL TURRET MILLING MACHINE

1050VS

- 5 HP Motor
- ISO-40 Spindle taper
- Size of table 10"x50"
- Table travel 36"
- Saddle travel 16 1/2"
- Knee travel 16"
- Quill travel 5"
- 2 speed variable speed drive (70-500, 600-4200 RPM)
- Max. distance spindle to table 18"
- Distance spindle to column 24"
- Quill power feed (.0015, .003, .006)
- Ram movement 24"

VARIABLE SPEED DRIVE

AVAILABLE 220 OR 550 VOLTS

OPTIONAL
TABLE POWERFEED
 • 440 lbs torque
 • 1 amp motor
PFM-9422
LONGITUDINAL
\$599.

INCLUDED
TABLE POWERFEED
ATTACHMENT
(550 LBS TORQUE)
LONGITUDINAL

\$9499.

\$11999.

FAGOR DIGITAL READOUT SYSTEM



20i-M-1230
 (Fits 942VS-6-NF)
 2 AXIS with
 12" x 30" scales

\$1699.

FAGOR DIGITAL READOUT SYSTEM



20i-M-1836
 (Fits 1050VS)
 2 AXIS with
 18" x 36" scales

\$1799.

FAGOR DIGITAL READOUT SYSTEM



30i-M-183616
 (Fits 1050VS)
 3 AXIS with
 18" x 36" scales

\$2499.

18 PC. COLLET SETS

Includes straight shank, 15 collets, wrench and plastic case.

\$299. ea.



KCS-4015
 • Straight shank taper ISO 40
 • Draw Bar 5/8" WII

KCS-R8-15
 • Straight shank taper R8
 • Draw Bar 7/16" NF 20

K-TYPE SWIVEL BASE MILLING VISES



4"-KMV-4N **6"-KMV-6N**
\$149. \$199.

8"-KMV-8N
\$299.

HORIZONTAL & VERTICAL ROTARY TABLES



KC-HVRT-6 Size 6" **\$299.**
KC-HVRT-8 Size 8" **\$399.**

TAILSTOCK FOR ROTARY TABLE



KC-TRT-6
 • Fits: KC-HVRT-6, KC-HVRT-8
\$99.99

DIVIDING PLATES FOR ROTARY TABLE



KC-DPRT-6 Size 6" **\$99.99 ea.**
KC-DPRT-8 Size 8"

LIVE CENTERS

- Very accurate
- Fitted with taper roller bearings

KLC-2M \$59.
• MT#2 FITS KC-0712ML

KLC-3M \$69.
• MT#3 FITS KC-1022ML, KC-1236ML & KC-1440ML-6



7 PC. CARBIDE CUTTER HOLDER SET

- 1/4" Carbide Steel 2 position Cutter Tips (5pcs.)
- Carbide Steel Inserts (2pcs.)
- Kit comes in a wooden box with screwdriver and 3 adjustment keys



3/8" Shank **KM-047** \$159.
5/8" Shank **KM-057** \$169.

Fits Models: KC-0712ML, KC-1022ML
Fits Models: KC-1236ML, 1440ML-6

TAPER ATTACHMENT



KM-053 (KC-1236ML) \$599.
KM-054 (KC-1440ML-6)

Taper Attachment must be ordered together with Lathe
These Taper Attachments are designed to fit our 12" x 36" & 14" x 40" Metal Lathes models KC-1236ML & KC-1440ML-6

7 PC. QUICK CHANGE TOOL POST KITS



KQCT-0012 \$199.
Fits most lathes up to 0 to 12" swing

KQCT-1015 \$269.
Fits most lathes between 10" to 15" swing

KQCT-1318 \$299.
Fits most lathes between 13" to 18" swing

FAGOR DIGITAL READOUT SYSTEM

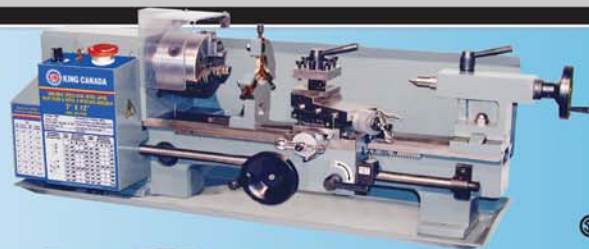


20i-T-1240 (Fits KC-1640GH) \$2499.
20i-T-1260 (Fits KC-1660GH) \$2599.

2 AXIS with 12" x 40" scales \$2499.
2 AXIS with 12" x 60" scales \$2599.

7" X 12" VARIABLE SPEED MINI METAL LATHE

KC-0712ML \$999.
• 5.5 amp. motor
• 3/4" spindle bore
• Variable speeds 2 (0-1100, 0-2500 RPM)
• Comes complete with quick change gear box, steady rest, replacement gears, 4-way tool post, MT#2 dead center, threading dial indicator, 4" - 3 jaw chuck, emergency stop button, chuck key and hex. keys



10" X 22" BELT DRIVE METAL LATHE

KC-1022ML \$1999. optional **METAL LATHE STAND SS-1022** \$199.
• 12 amp. motor
• 1" spindle bore
• Spindle speeds 6 (150-2400) RPM
• Comes complete with 5"-3 jaw chuck, 6-1/2"-4 jawchuck, replacement gears, 4 way tool post, steady rest, follow rest, 8" face plate, thread chasing dial indicator, MT#3 dead center, MT#4 dead center, full length splash guard, tool box, chuck key and hex. keys



12" X 36" GEARHEAD METAL LATHE

KC-1236ML/SS-1236 \$3499. **Free Bonus GEARHEAD METAL LATHE STAND SS-1236** WITH THE PURCHASE OF A 12" X 36" GEARHEAD METAL LATHE VALUED AT \$299
• Powerful 1.5 HP motor
• Spindle speeds 9 (60-1500) RPM
• 1 1/2" spindle bore
• 40(4-112 T.P.I.) 30(2 - 4.5mm) thread cutting
• Metric and Imperial dials
• Comes complete with 6"-3 jaw chuck, 8"-4 jaw chuck, replacement gears, quick change tool post, steady rest, follow rest, 10" DI-4 camlock face plate, thread chasing dial indicator, MT#3 dead center, full length splash guard, tool box, chuck keys and hex. keys



14" X 40" GEARHEAD METAL LATHE

KC-1440ML-6 \$4999.
• Powerful 2 HP motor
• Spindle speeds 8(70-2000) RPM
• 1 7/16" spindle bore
• 34(4-56 T.P.I.) 26(4 - 7mm) thread cutting
• Metric and Imperial dials
• Comes complete with 6"-3 jaw chuck, 8"-4 jaw chuck, replacement gears, quick change tool post, steady rest, follow rest, 12" DI-4 camlock face plate, coolant system, full length splash guard, thread chasing dial indicator, 2 MT#3 dead centers, JT#5-MT#3 sleeve, chip tray, tool box, halogen lamp, chuck keys, hex. keys, and cabinet stand with foot brake.



CABINET STAND WITH FOOT BRAKE INCLUDED

GEARHEAD METAL LATHES

KC-1660GH \$14999.
• Powerful 7.5 HP (575V) motor
• Spindle speeds (33-2000) RPM
• 2 1/16" spindle bore
• 4-56 T.P.I. threadcutting
• Comes complete with 8"-3 jaw chuck with inside & outside jaws, 10"-4 jaw chuck, quick adjust 6-way tool post, steady rest, follow rest, 14" (D1-6) camlock face plate, taper attachment, 1 live center MT #4, 2 dead centers MT#4 & MT #6, thread chasing dial, metric and imperial dials, halogen light, coolant system, full length splash guard, 4 positions cross slide stop, cabinet stand (full length with foot brake incorporated) and a tool box.

16" X 60" \$14999.



CABINET STAND WITH FOOT BRAKE INCLUDED

SPRAY GUN KITS

8180  **\$29.99**

8182  **\$39.99**

8185  **\$39.99**

8190 HVLP  **\$59.99**

8195  **\$69.99** **43 PC.**

71 PC. AIR TOOL KIT **\$99.99**

8171 Comes with 1/2" Impact Wrench, 3/8" Ratchet Wrench, Air Hammer and 1/4" Die Grinder



1/2" IMPACT WRENCH **\$99.99** Double Insulation

8311

- 7 amp. motor
- Impacts 2700 / Min.
- Maximum Torque 230 /ft.-lb.
- Comes with 4 sockets 11/16", 3/4", 13/16", and 7/8"



DIGITAL FRACTIONAL CALIPER

- Converts to inches (decimal and fractional) and metric readings
- Stainless steel construction
- Waterproof to IP54 standards
- Two 3V Lithium batteries included

 **KM-106 \$29.99**

2 TON HYDRAULIC FLOOR JACK AND JACK STANDS KIT

2 Ton Jack Stands

- Heavy-duty steel frames with 7-1/8" x 6-1/4" footprint
- 10 position ductile ratchet posts provide strength and stability

2 Ton Hydraulic Floor Jack

- Automatic bypass and internal overload safety valve
- Hand actuated release valve provides metered control

 **KC-2TFJK \$59.99**

12 TON HYDRAULIC PIPE BENDER

KPB-12T

- Bends 6 different diameter pipes using precision cast dies from 1/2" to 2"
- Maximum bending radius of 90°
- Bends black and galvanized pipe

 **\$159.99**

4 1/2" X 1 1/2" WET/DRY SHARPENER

KC-4500S

- Compact wet/dry sharpener is ideal for sharpening fine hand tools like chisels, blades, knives and scissors
- 4-1/2" x 1-1/2" 220 grit wheel runs at 170 RPM
- Wheel runs through water bath, preventing burning of fine tempered steel
- Forward/reverse switch allows the wheel to rotate in both directions

 **\$59.99**

PORTABLE VARIABLE SPEED BANDSAW

8376

- Quickly cuts round or square stock up to 4-1/2"
- Cuts wood and other soft materials such as plastic pipe, tubing and conduit
- Needle bearing mounted spindle and triple ball bearing blade
- Comes with 14 TPI blade, guide bar, square, hex. key and extra set of carbon brushes

 **\$99.99**

BI-METAL BLADES ("SKIP TOOTH")

Model	Length	Width	TPI	Thickness	Price
KBB-8376-BM-1014	44 7/8"	1/2"	10-14	.020"	\$14.99
KBB-8376-BM-1018	44 7/8"	1/2"	14-18	.020"	\$14.99

5" ANGLE DISC GRINDER

8364

- 9.5 amp. motor
- 11,000 RPM

 **\$49.99** Double Insulation

14" CUT-OFF SAW

8342

- 15 amp. motor

 **\$139.99**

BENCH GRINDERS

Come complete with adjustable eye shields, tool rests and stones

BENCH GRINDER STAND **SS-150**

- Made of cast iron with coolant reservoir
- 32 3/4" high

6" KC-690 • 3.5 amp. motor • 3500 RPM **\$45.99**

8" KC-890 • 7 amp. motor • 3450 RPM **\$79.99**

10" KC-1090 • 14 amp. motor • 1740 RPM **\$249.99**



7" POLISHER/SANDER KIT

8369B

- Powerful 11 amp motor
- Variable speed dial (1,000 - 3,000 RPM)
- Comes with 7" polishing backing pad, wool bonnet, 7" sanding hook-and-loop backing pad, 7" hook-and-loop 80 grit sanding paper and wrench

 **\$99.99** Double Insulation

REPLACEMENT 7" SANDING PAPER KIT **KW-111** **\$7.99**



REPLACEMENT WOOL BONNET **KM-090** **\$14.99**



BB-S5016
 • Max. length 50"
 • Capacity 16 gauge
 • Weight 600 lbs
\$1999.

BB-S3622
 • Max. length 36"
 • Capacity 22 gauge
 • Weight 242 lbs
\$899.

BB-S2420
 • Max. length 24"
 • Capacity 20 gauge
 • Weight 180 lbs
\$699.



SLIP ROLLS

4 TON HAND NOTCHER

BB-N616
 • Heavy cast-iron construction
 • 16 Gauge notching capacity (mild steel)
 • 18 Gauge piercing capacity (mild steel)
 • Maximum notch (6" X 6" x 90°)
 • Weight 210 lbs

\$799.



SHEAR, BRAKE AND ROLL

BB-3022
 • Max. length 30"
 • Maximum thickness 22 gauge
 • Weight 290 lbs
\$699.

BB-4022
 • Max. length 40"
 • Maximum thickness 22 gauge
 • Weight 450 lbs
\$999.



3 IN 1 METAL FORMING MACHINES

HANDBRAKES

BB-H4822
 • Bending length 48 1/4"
 • Capacity 22 gauge
 • Weight 290 lbs

BB-H4816
 • Bending length 48 1/2"
 • Capacity 16 gauge
 • Weight 470 lbs

\$999.

\$1499.



BB-F5216
 • Cutting length 52"
 • Capacity 16 gauge
 • Weight 1100 lbs

\$2599.

52" FOOT SHEAR



BOX AND PAN BRAKES

BB-BP4822
 • Bending length 48 1/4"
 • Capacity 22 gauge
 • Weight 290 lbs

BB-BP4816
 • Bending length 48 1/2"
 • Capacity 16 gauge
 • Weight 715 lbs

\$1099.

\$1699.



2000 PSI GASOLINE HIGH PRESSURE WASHER

KPW-2000

- 2000 PSI, 1.8 GPM maximum water flow
- Powerful 4 HP, 4 stroke air cooled OHV engine
- Thermal relief valve on pump to protect against overheating
- 25' high pressure hose and inlet hose quick connect coupling

\$259.99

EPA Approved



2000 PSI GASOLINE HIGH PRESSURE WASHER

KPW-2001FM

- 2000 PSI, 1.8 GPM maximum water flow
- Powerful 4 HP, 4 stroke air cooled OHV engine
- Thermal relief valve on pump to protect against overheating
- 25' high pressure hose and inlet hose quick connect coupling
- Comes with 8" pneumatic wheels for portability and 4 quick connect nozzles (0°, 25°, 40° and detergent)

\$299.99

EPA Approved



3000 PSI GASOLINE HIGH PRESSURE WASHER

KPW-3000FM

- 3000 PSI, 2.7 GPM maximum water flow
- Powerful 6.5 HP, 4 stroke air cooled OHV engine
- Thermal relief valve on pump to protect against overheating
- 30' high pressure hose and inlet hose quick connect coupling
- Comes with 10" pneumatic wheels for portability and 5 quick connect nozzles (0°, 15°, 25°, 40° and detergent)

EPA Approved

\$399.99



EMERGENCY POWER SOURCE & AIR COMPRESSOR

8400N

- 4 in 1 unit for roadside assistance
- 900 peak amps, 500 cranking amp boost
- 250 PSI air compressor with pressure gauge
- Comes with positive and negative booster clamps, rear storage compartment which holds 120V AC charger, 12V DC charging cord with automotive adaptor, air hose with quick connect chuck, needle adaptor, 2 inflatable adaptors, replacement 15A fuse and bulb.

\$79.99



GASOLINE ENGINES



6.5HP

KCG-65

- Powerful, 4 stroke air cooled OHV engine
- Low oil shut-off protects the engine
- Counterclockwise drive shaft direction
- Ideal for compressors, generators, pressure washers, go-karts and log splitters

\$179.99

EPA Approved

- KCG-130**
- Powerful, 4 stroke air cooled OHV engine
 - Low oil shut-off protects the engine
 - Counterclockwise drive shaft direction
 - Ideal for compressors, generators, pressure washers, go-karts and log splitters

\$299.99 **13HP**



EPA Approved

2" GASOLINE WATER PUMP

KCG-2PG

- Powerful 6.5 HP, 4 stroke, air cooled, OHV gasoline engine
- 2" NPT inlet and outlet
- 92' Total head lift (total height at sea level, to which water can be raised above original water level)
- Oil sensor shuts off engine when oil level is low
- Comes with 3 wire clamps, 4 hose adaptors, 4 rubber gaskets, strainer basket and strainer basket adaptor

\$279.99





950W PORTABLE GENERATOR

KCG-951G

- Powerful 2 HP, 2 stroke air cooled motor
- Brushless alternator and electronic ignition
- Outlet: 120V/6.7 amp AC output
- Outlet: 12V/5.3 amp DC output
- Easy start manual recoil starter
- AC and DC circuit breakers and reset buttons for safe operation
- Comes with DC cables and spark plug socket

\$149.99



1500W GASOLINE GENERATOR

KCG-1501G

- Powerful 3 HP, 4 stroke air cooled OHV engine
- Low oil shut-off with indicator light protects the engine
- Duplex Outlet: 120V/10 amp. AC output
- Terminals: 12V, 8 amp. DC output
- Easy start recoil starter
- AC and DC circuit breakers for safe operation
- Comes with DC cables and spark plug socket

\$299.99

Electronic ignition



3500W GASOLINE GENERATOR WITH WHEEL KIT

KCG-3500G

- Powerful 6.5 HP, 4 stroke air cooled OHV engine
- AVR system and electronic ignition
- Low oil shut-off with indicator light protects the engine
- Duplex Outlet: 120V/20 Amp AC output
- Twist lock outlet: 120V/240V/30 Amp AC output
- Voltage switch and ground terminal
- AC Circuit breaker and resets for safe operation

\$399.99



5625W GASOLINE GENERATOR WITH WHEEL KIT

KCG-5625G

- Powerful 13 HP, 4 stroke air cooled OHV engine
- AVR system and electronic ignition
- Low oil shut-off with indicator light protects the engine
- Two duplex outlets: 120V/20 amp AC
- Twist lock outlet: 120V/240V/30 amp AC
- Easy start recoil starter
- AC double throw circuit breaker and resets for safe operation

\$599.99



7500W GASOLINE GENERATOR WITH ELECTRIC START & WHEEL KIT

KCG-7501GE

- Powerful 13 HP, 4 stroke air cooled OHV engine
- AVR system and electronic ignition
- Low oil shut-off with indicator light protects the engine
- Two duplex outlets: 120V/20 amp AC output
- Two twist lock outlets: 120V/30 amp and 120V/240V/30 Amp AC output
- Keyed electric start and easy start recoil starter
- AC Circuit breaker and resets for safe operation

\$799.99

Includes BATTERY

2000W GASOLINE DIGITAL INVERTER GENERATOR

KCG-2000i

- Powerful 4.5 HP, 4 stroke air cooled OHV engine
- Sine wave digital inverter generator provides stable current to power voltage-sensitive electronics
- AC Outlet: 120V/16.7 amp AC output
- DC Outlet: 12V/8.3 amp DC output
- Comes with DC cables, spark plug socket, oil fill container, screwdriver and oil drain pipe

\$599.99



9000W GASOLINE GENERATOR WITH ELECTRIC START & WHEEL KIT

KCG-9000GE

- Powerful 15 HP, 4 stroke air cooled OHV engine
- AVR system and electronic ignition
- Two duplex outlets: 120V/20 Amp AC output
- Two twist lock outlets: 120V/30 Amp and 120V/240V/30 Amp AC output
- Keyed electric start and easy start recoil starter
- AC Circuit breaker and resets for safe operation
- Terminals: 12V/8.3 amp DC output with DC reset
- Running time digital meter, ammeter and voltmeter

\$1099.99

Includes BATTERY



"DOUBLE CUT™" SAW KITS

KC-9125

Counter-Rotating Twin Blade Technology

- Powerful 7.5 amp. motor
- 1 1/8" depth out cut
- Two specially designed blades simultaneously rotate in opposite directions
- Built-in blade lubricating system
- Cuts hard and soft metals, hardwood, PVC, Iron, plastics, aluminum, copper, stainless steel with ease and precision
- Kit includes set of universal tungsten carbide tipped (TCT) blades, 10 pcs. lubricating wax sticks, control handle, arbor tool and sturdy carrying case



5" \$139.99

KC-9160

Counter-Rotating Twin Blade Technology

- Powerful 10 amp. motor
- 1 3/8" depth out cut
- Two specially designed blades simultaneously rotate in opposite directions
- Built-in blade lubricating system
- Cuts hard and soft metals, hardwood, PVC, Iron, plastics, aluminum, copper, stainless steel with ease and precision
- Kit includes set of universal tungsten carbide tipped (TCT) blades, 10 pcs. lubricating wax sticks, control handle, arbor tool and sturdy carrying case



6 3/8" \$199.99

COMPRESSOR & ACCESSORIES

5 PEAK HP AIR COMPRESSOR

- Durable oil lubricated pump
- A.S.M.E. 20 gallon tank
- 7.4 SCFM @ 40 PSI
- 5.7 SCFM @ 90 PSI
- Air Pressure Regulator and easy to read Pressure Gauges

\$299.99



COMPRESSOR OIL BOTTLE (850ml)

KW-077 INCLUDED with the purchase of # 8498
Sold separately **\$6.99**

PRESSURE ABRASIVE SANDBLASTERS

- Heavy-duty all steel construction
- Loading abrasive is made simple using the concave funneltop of the tank
- Safety pressure relief valve
- 1/2" (I.D.) x 8 ft abrasive feed hose
- Includes media gun, 4 interchangeable nozzles (2, 2.5, 3 & 3.5mm), water separator filter, protective blast hood and teflon tape



\$159.99

\$199.99

SANDBLAST CABINETS

REPLACEMENT CERAMIC NOZZLES

Fits: KSB-110N & KSB-350
\$19.99
4 PC. KIT

KSB-350

- Filtered fluorescent light
- Aluminum gun with 3 ceramic replacement nozzles
- Doors located on both sides of cabinet left and right
- 2 rubber gauntlet gloves mounted in front

KSB-110N-9

- Filtered fluorescent light
- Aluminum gun with 3 ceramic replacement nozzles
- 2 rubber gauntlet gloves mounted in front
- Clear plastic full sized lid on top



\$159.99

\$599.

RECIRCULATING PARTS WASHERS

CLEANING BRUSH FOR PARTS WASHERS

KM-059 \$19.99

\$69.99

KPW-205

- 5 gallon capacity
- Safety lever has fusible link
- Durable pump included



\$159.99



KPW-220

- 20 gallon capacity
- Safety lever has fusible link
- Durable pump included

\$199.99



KPW-240

- 40 gallon capacity
- Safety lever has fusible link
- Durable pump included

We reserve the right to limit quantities. We also reserve the right to correct printing errors. Articles may vary from illustration shown. Some retailers may not stock all products due to space restrictions and product availability.

We reserve the right to correct any typographical and pictorial errors without notice.

NEW

PALLET TRUCKS

3 position control handle

\$379.99

- Max. raised height of forks 7 1/2"
- Min. height of forks 2.95"

KC-2145-NYL (21" X 45")
Nylon/Nylon wheels

\$379.99

KC-2748-NYL (27" X 48")
Nylon/Nylon wheels

\$379.99

KC-2748P (27" X 48")
Poly/Poly wheels



5500 lbs. capacity

Quick release foot pedal

20 TON HYDRAULIC SHOP PRESS

KHP-20T

- Heavy-duty "H" frame with pressure gauge
- Stroke 7-1/4"
- Working range 0 - 37-1/2"
- Bed width 21-5/8"
- Adjustable bed height with support rods

\$329.99



20 TON FOLDING SHOP CRANE

KFC-2

- Simply remove two leg pins to lower or raise for storage
- 4 position boom extends from 42" to 63"
- Legs extend to 67 1/2"
- 8 Ton long stroke jack included

\$269.99